

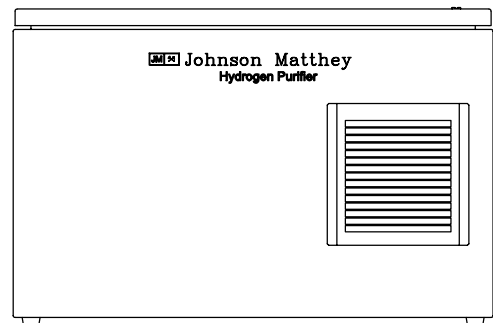
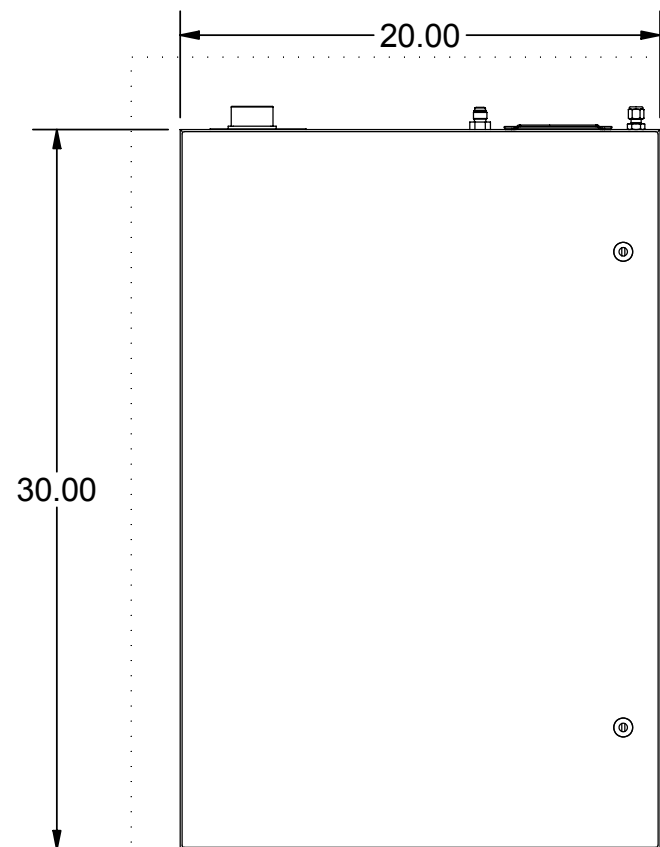
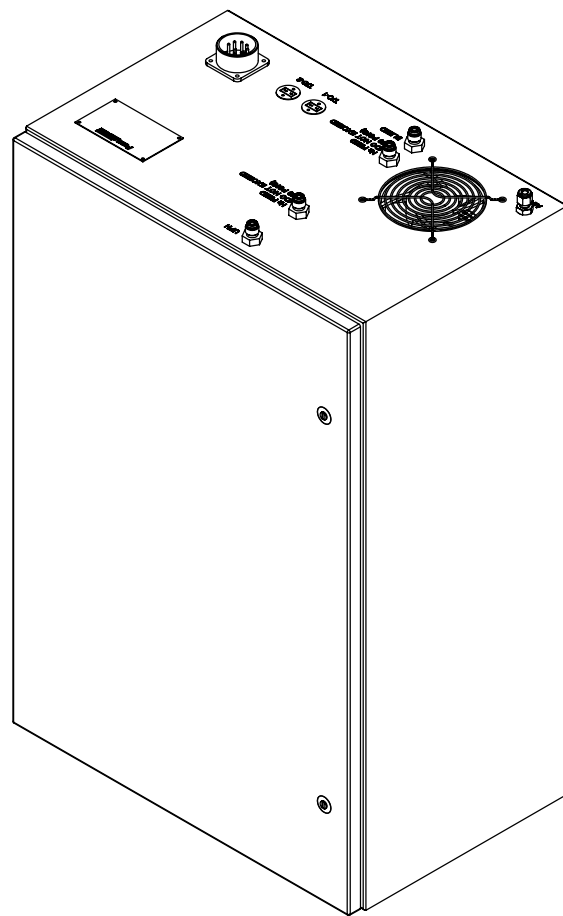
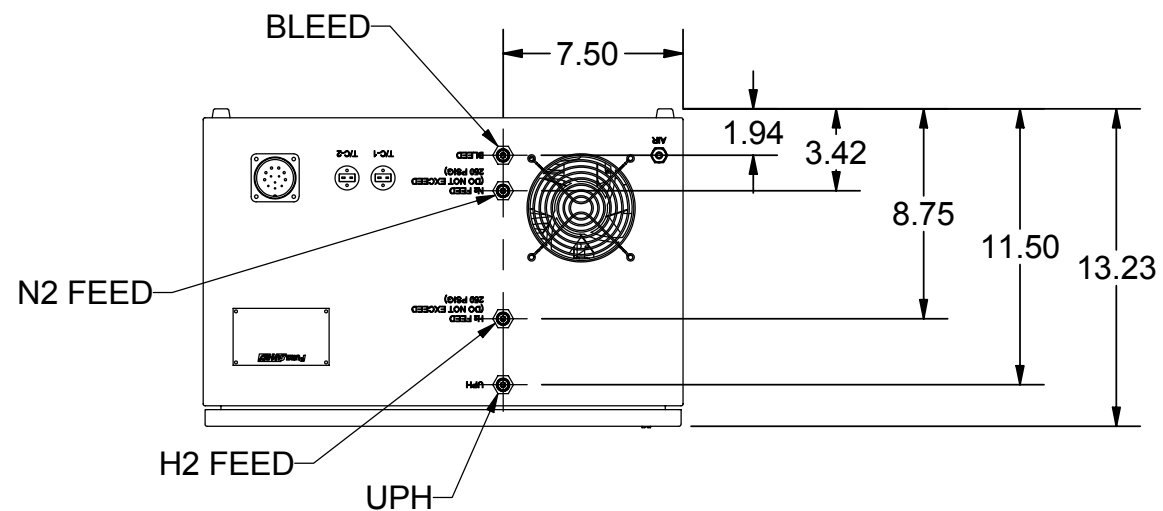
4

3

2

1

REVISION HISTORY					
REV	DESCRIPTION	BY	CHK	ENG	ENG MGR
0	RELEASED FOR CONSTRUCTION	M.D.C.	X	X	X



**NOTES:**

1. ALL PIPING CONNECTIONS ARE 1/4" MVCR.
2. MAKE FROM HP-D-8673.

**OUTLINE DRAWING, DIFFUSION MODULE, HP-400 SERIES**

PROPERTY OF JOHNSON MATTHEY, INC. TO BE RETURNED UPON REQUEST AND USED ONLY IN REFERENCE TO CONTRACT OR PROPOSALS OF THIS CORPORATION. UNAUTHORIZED REPRODUCTION IS PROHIBITED.



DIMENSION LIMITS (UNLESS OTHERWISE SPECIFIED)			
DIMENSION	UP TO	15.001 [380] TO	OVER
IN [mm]	15.000 [380]	30.000 [760]	30.001 [760]
0.0 [0]	± 0.05 [1]	± 0.1 [2.5]	± 0.1 [2.5]
0.00 [0.0]	± 0.015 [0.4]	± 0.030 [0.8]	± 0.045 [1.12]
0.000 [0.00]	± 0.005 [0.13]	± 0.010 [0.26]	± 0.015 [0.40]
FRACTION	± 1/32	± 1/16	± 1/8

**JM Johnson Matthey**  
GAS PURIFICATION TECHNOLOGY  
WEST CHESTER, PA

DESIGN	ENG.	PRO. ENG.	ENG. MGR.
DRAWN M.D.C.	CHECKED		
DATE: 6-28-05	SHEET NO. 1 OF 1	DRAWING NUMBER	
SCALE 1/8" = 1"			REV. 0
HP-B-8675			

4

3

2

1