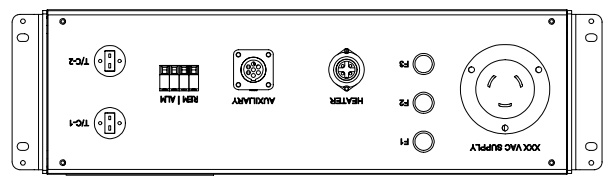
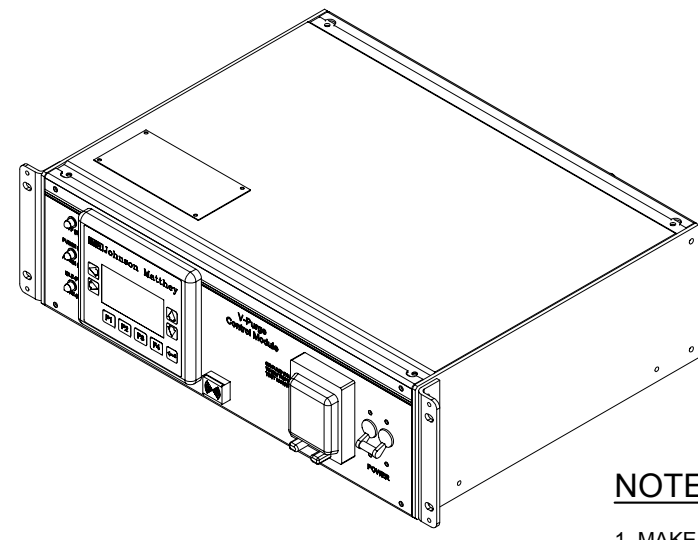
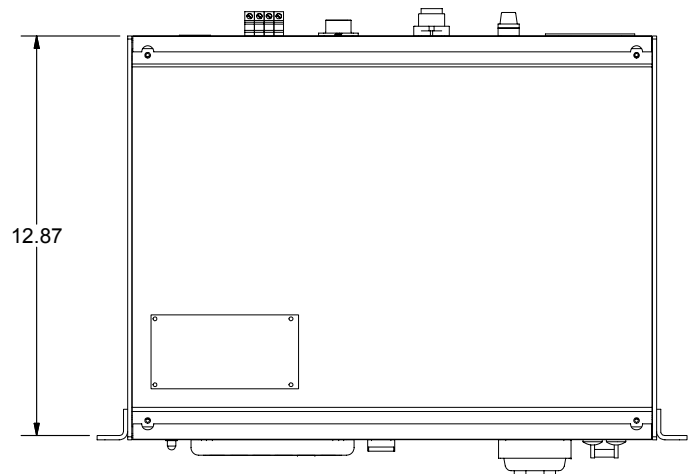


4 | 3

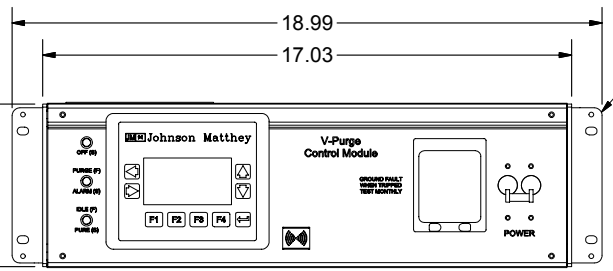
2 | 1



REVISION HISTORY					
REV	DESCRIPTION	BY	CHK	ENG	ENG MGR
0	RELEASED FOR CONSTRUCTION	M.D.C.	RJW 3-1-06	RJW 3-1-06	JL 3-1-06



- NOTES:**
1. MAKE FROM, DWG. HP-D-8691.
 2. CABLE, DWG. HP-C-8850.



19" RACK MOUNTING BRACKETS
MAY BE REMOVED

OUTLINE DRAWING, V-PURGE CONTROL MODULE



PROPERTY OF JOHNSON MATTHEY, INC. TO BE RETURNED UPON REQUEST AND USED ONLY IN REFERENCE TO CONTRACT OR PROPOSALS OF THIS CORPORATION. UNAUTHORIZED REPRODUCTION IS PROHIBITED.

THIRD ANGLE PROJECTION

DIMENSION LIMITS (UNLESS OTHERWISE SPECIFIED)			
DIMENSION	UP TO	15.001 [380] TO	OVER
IN	[mm]	30.000 [760]	30.001 [760]
0.0	[0]	± 0.05 [1]	± 0.1 [2.5]
0.00	[0.0]	± 0.015 [0.4]	± 0.030 [0.8]
0.000	[0.00]	± 0.005 [0.13]	± 0.010 [0.26]
FRACTION		± 1/32	± 1/16

DESIGN		ENG.	PRO. ENG.	ENG. MGR.
DRAWN M.D.C.	CHECKED RJW 3-1-06	RJW 3-1-06	-	JL 3-1-06
DATE: 3-1-06	SHEET NO. 1 OF 1	DRAWING NUMBER		REV.
SCALE 1/4" = 1'-0"		HP-B-8931		0

4 | 3

2 | 1