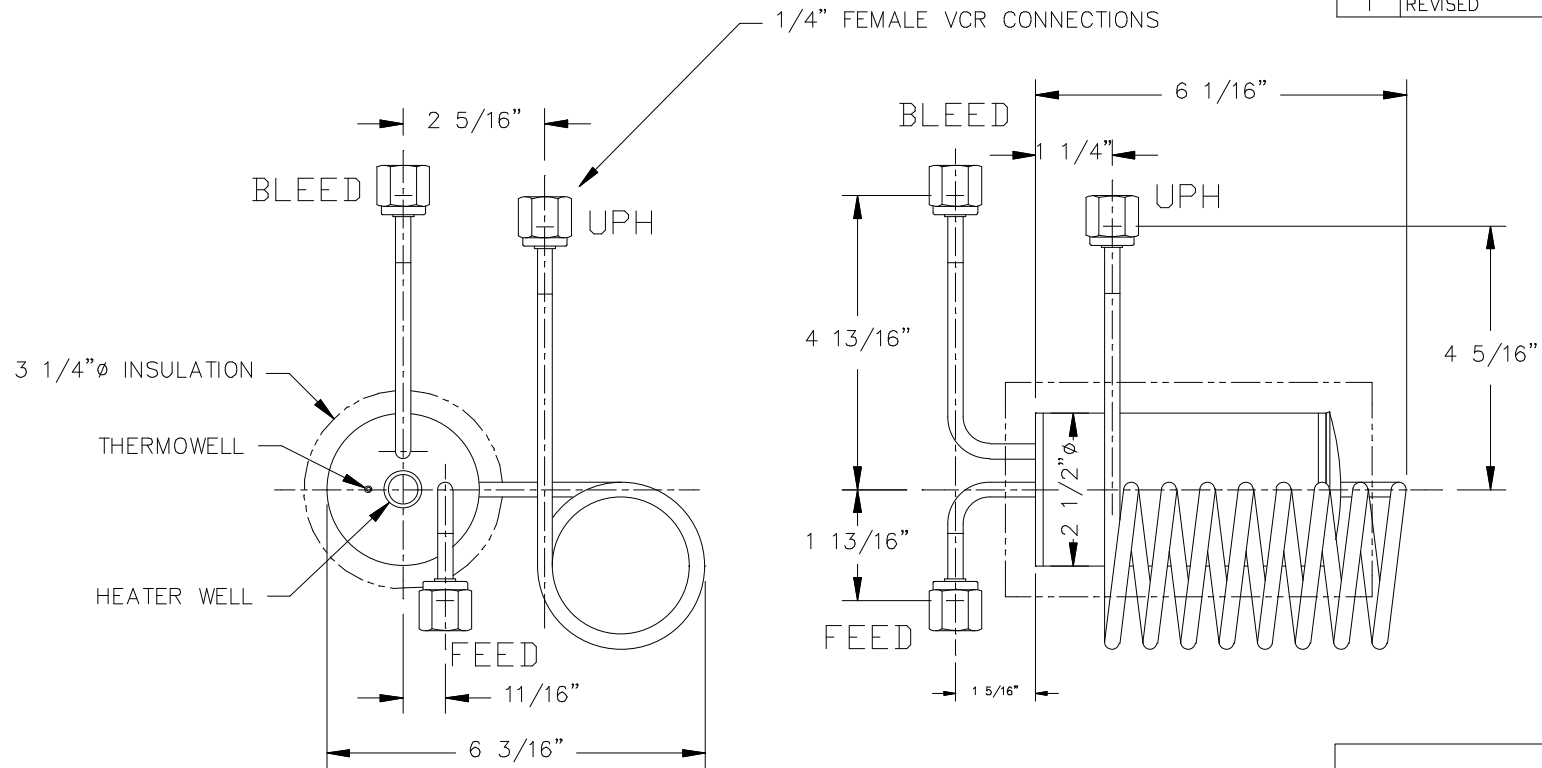


REVISIONS			
REV.	DESCRIPTIONS	BY	APPVD.
0	RELEASED FOR CONSTRUCTION	M.D.C. 10-24-97	
1	REVISED	M.D.C. 11-20-98	



HP-25 & 50 CELL  
OUTLINE DRAWING

NOTES:

1. MAKE FROM DWG. 09-0D1417.

Johnson Matthey CSD  
WAYNE, PA  
ENVIRONMENTAL PRODUCTS

DESIGN		ENGR.	PRO. ENGR.	ENGR. MGR.
DRAWN M.D.C.	CHECKED			
DATE: 10-24-97	SHEET NO. 1 OF 1	DRAWING NUMBER		REV.
SCALE 6" = 1'-0"		09-0B3981		1

PROPERTY OF JOHNSON-MATTHEY, INC. TO BE RETURNED UPON REQUEST AND USED ONLY IN REFERENCE TO CONTRACTS OR PROPOSALS OF THIS CORPORATION. UNAUTHORIZED REPRODUCTION IS PROHIBITED.